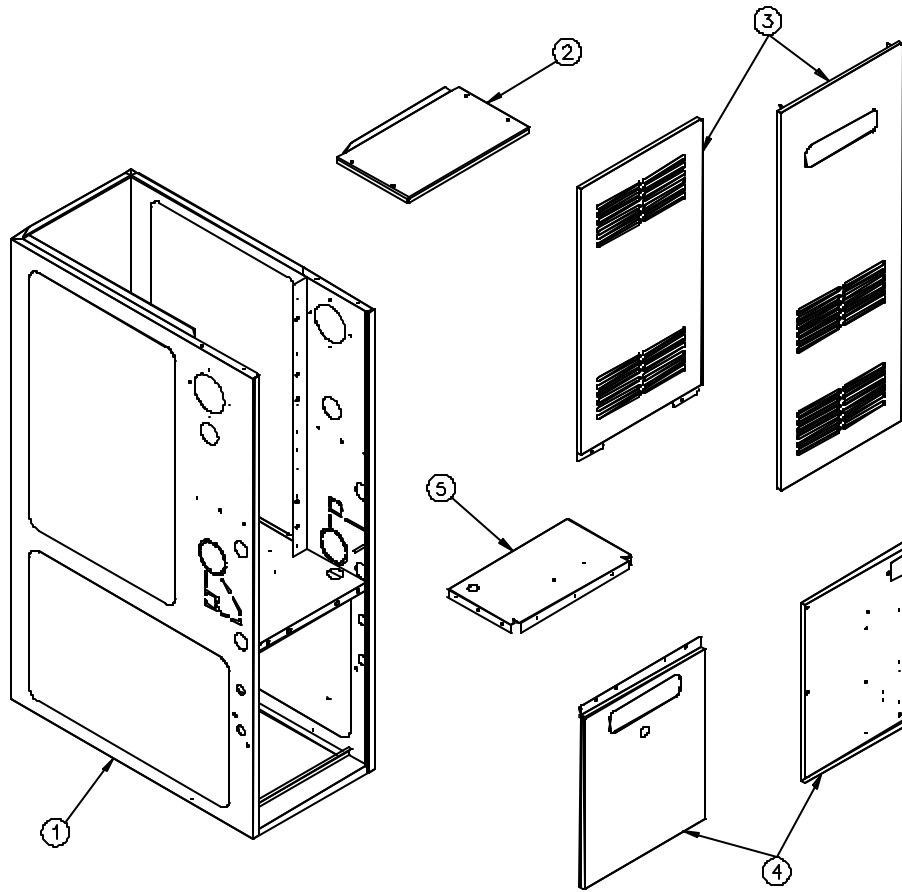
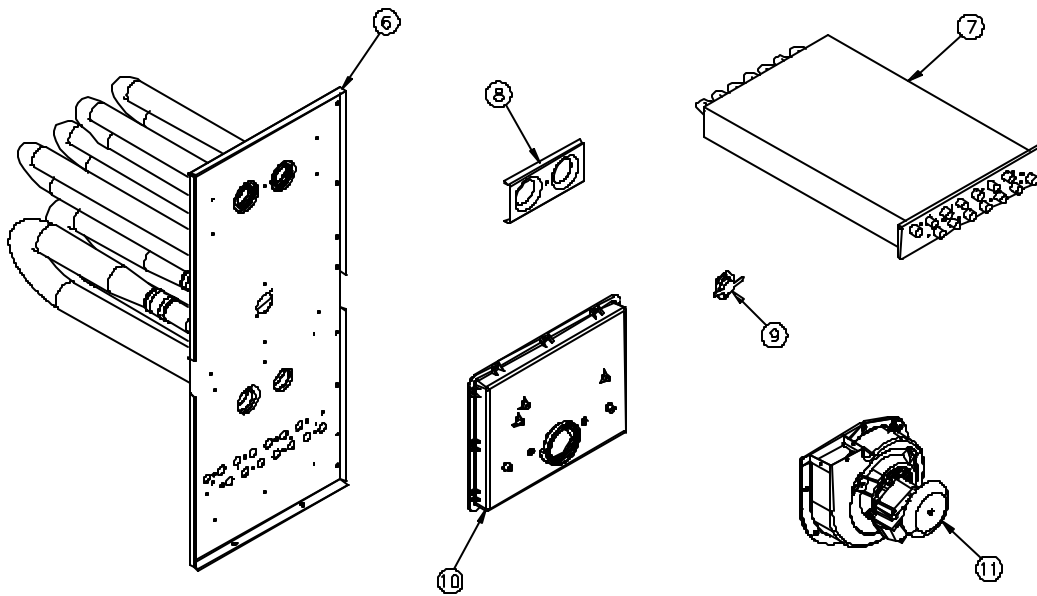


# **TUBULAR GAS FURNACE REPAIR PARTS**

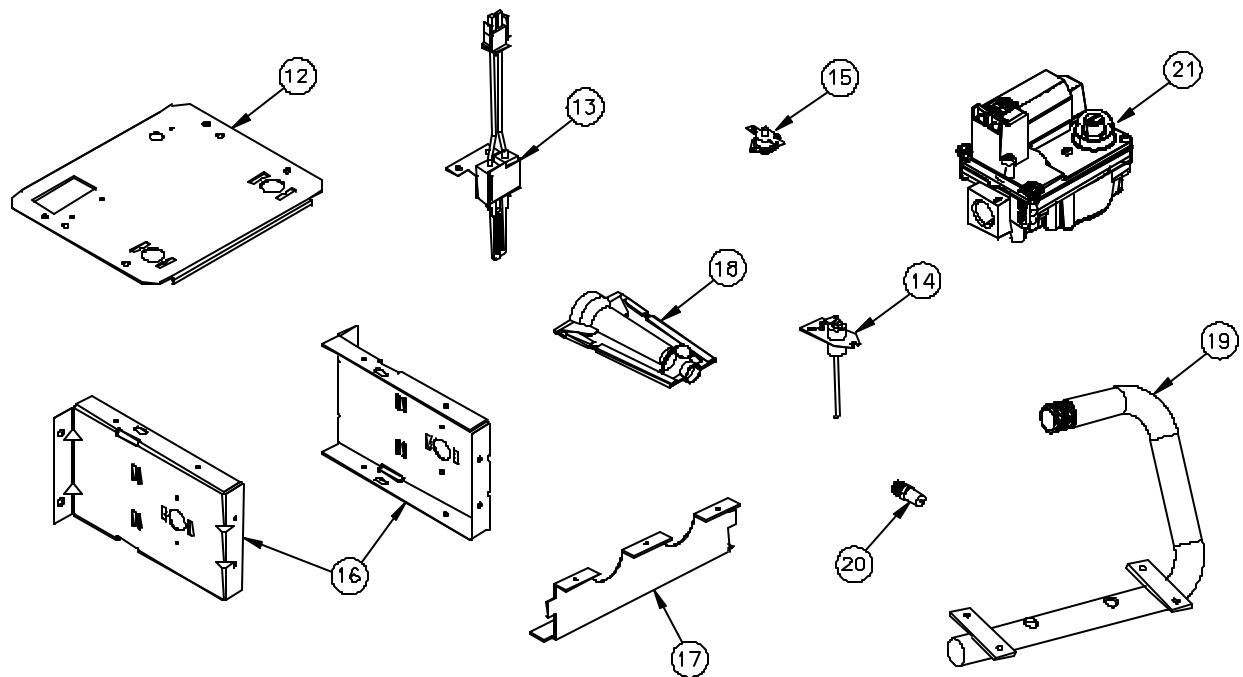
## WRAPPER ASSEMBLY



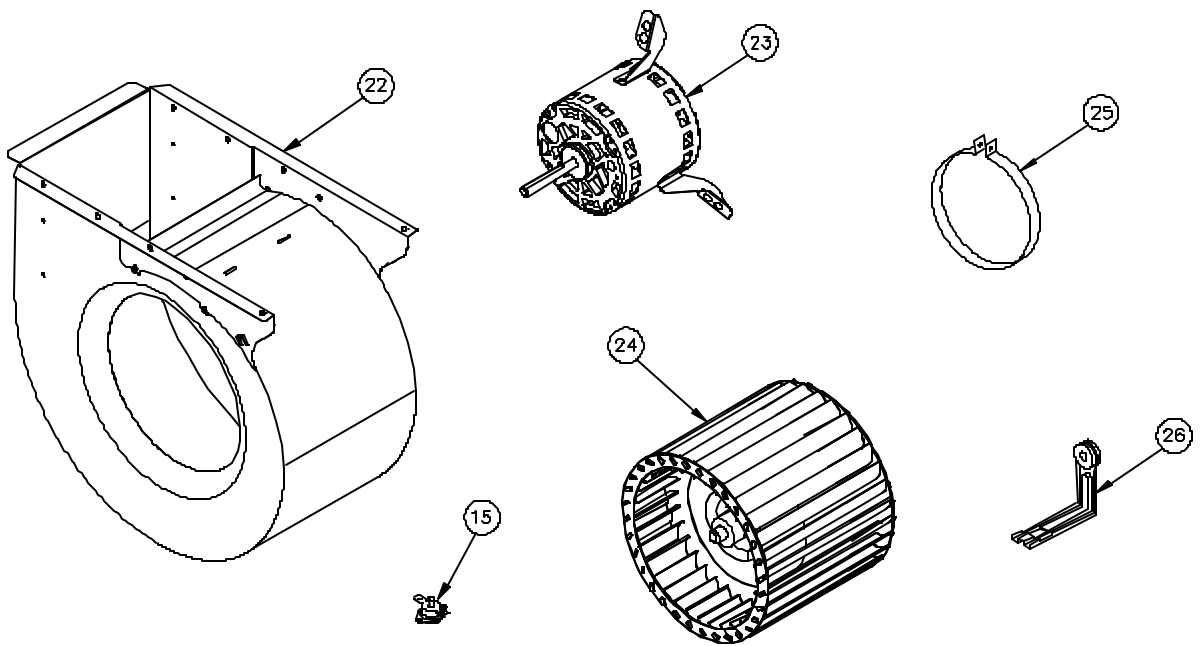
## HEAT EXCHANGER ASSEMBLY



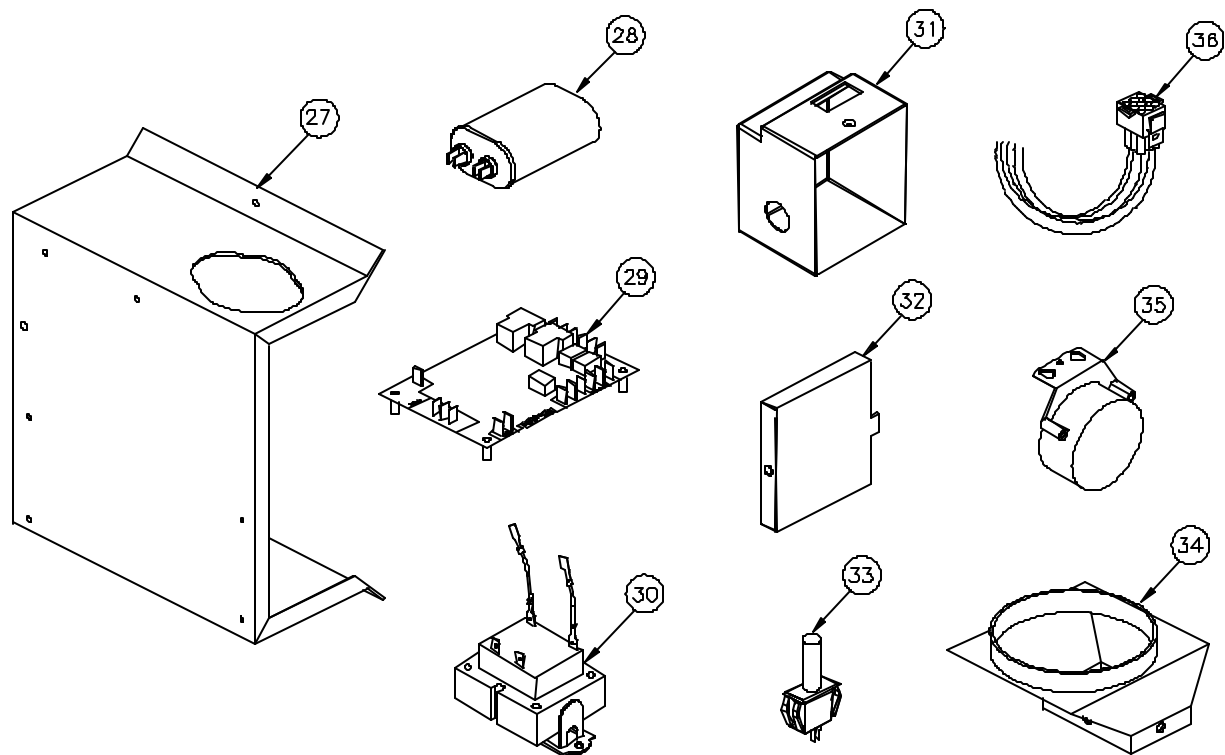
### BURNER BOX ASSEMBLY



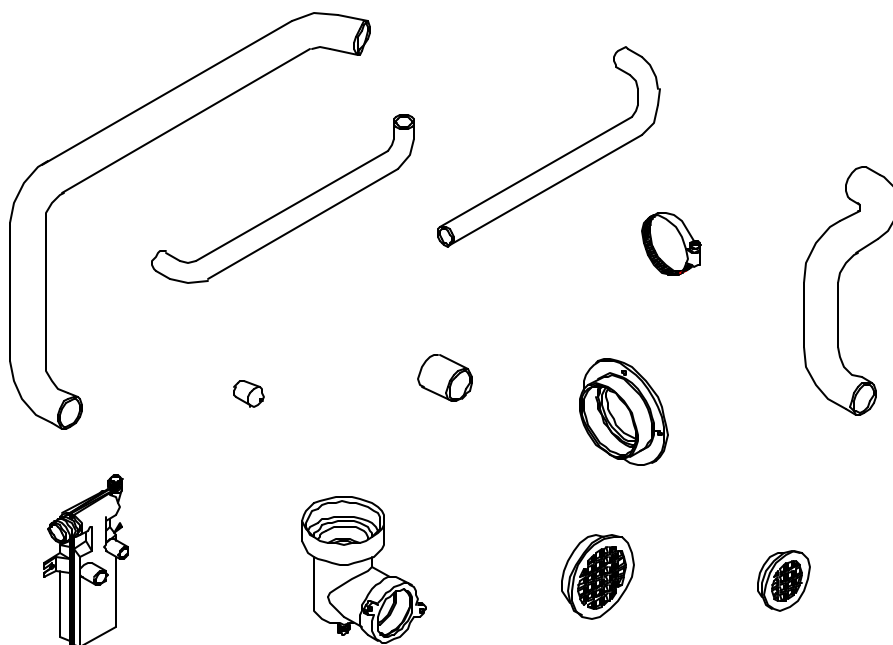
### BLOWER ASSEMBLY



MISC. ELECTRICAL & HARDWARE



ITEM #37 DRAIN KIT ASSEMBLY



I T E M	PART	DESCRIPTION	GMT					GDT				GMTH			GMNT						
			0 4 5 - 3	0 7 0 - 3	0 7 0 - 4	0 9 0 - 3	0 9 0 - 4	1 9 5 - 5	1 3 5 - 5	1 3 5 - 5	0 4 5 - 3	0 7 0 - 3	0 9 0 - 4	1 1 5 - 5	0 4 5 - 3	0 7 0 - 4	1 1 5 - 5	0 4 0 - 3	0 6 0 - 3	0 8 0 - 4	1 0 0 - 4
1	4026500S	WRAPPER / INSULATION ASM., 14"	1	1									1								
	4026501S	WRAPPER / INSULATION ASM., 17.5"			1	1	1							1							
	4026502S	WRAPPER / INSULATION ASM., 21"					1	1						1							
	4026503S	WRAPPER / INSULATION ASM., 24.5"							1												
	4026504S	WRAPPER / INSULATION ASM., 14"								1	1										
	4026505S	WRAPPER / INSULATION ASM., 17.5"										1									
	4026506S	WRAPPER / INSULATION ASM., 21"											1								
	4826500S	WRAPPER / INSULATION ASM., 14"														1	1				
	4826501S	WRAPPER / INSULATION ASM., 17.5"																1			
	4826502S	WRAPPER / INSULATION ASM., 21"																	1		
	4826503S	WRAPPER / INSULATION ASM., 24.5"																			1
2	4008000P	TOP, PAINTED, 14"	1	1							1	1		1							
	4008001P	TOP, PAINTED, 17.5"			1	1	1					1		1							
	4008002P	TOP, PAINTED, 21"					1	1					1		1						
	4008003P	TOP, PAINTED, 24.5"							1												
	4808000P	TOP, PAINTED, 14"														1	1				
	4808001P	TOP, PAINTED, 17.5"																1			
	4808002P	TOP, PAINTED, 21"																	1		
	4808003P	TOP, PAINTED, 24.5"																			1
3	4012000P	CONTROL ACCESS DOOR, 14"	1	1										1							
	4012001P	CONTROL ACCESS DOOR, 17.5"			1	1	1								1						
	4012002P	CONTROL ACCESS DOOR, 21"					1	1							1						
	4012003P	CONTROL ACCESS DOOR, 24.5"							1												
	4012004P	ACCESS DOOR, 14"								1	1										
	4012005P	ACCESS DOOR, 17.5"										1									
	4012006P	ACCESS DOOR, 21"											1								
	4812000P*	ACCESS DOOR 14"																1	1		
	B13926111	SEAL STRIP, 1/8 X 1/2 X 14																1	1		
	4812001P*	ACCESS DOOR 17.5"																		1	
	B13926112	SEAL STRIP, 1/8 X 1/2 X 17.5																		1	

\* WHEN ORDERING ITEM #3, ALSO ORDER (1) B1392139 AND (2) B13926119.

I T E M	PART	DESCRIPTION	GMT					GDT				GMTH			GMNT								
			0 4 5 - 3	0 7 0 - 3	0 7 0 - 4	0 9 0 - 3	0 9 0 - 4	0 9 0 - 5	1 1 5 - 5	1 3 5 - 5	0 4 5 - 3	0 7 0 - 3	0 9 0 - 4	1 1 5 - 5	0 4 5 - 3	0 7 0 - 4	1 1 5 - 5	0 4 0 - 3	0 6 0 - 3	0 8 0 - 4	1 0 0 - 4	1 2 0 - 5	
3	4812002P*	ACCESS DOOR 21"																			1		
	B13926113	SEAL STRIP, 1/8 X 1/2 X 21																				1	
	4812003P*	ACCESS DOOR 24.5"																					1
	B13926114	SEAL STRIP, 1/8 X 1/2 X 24.5																					1
4	4015000P+	BLOWER ACCESS DOOR 14"	1	1										1				1	1				
	4015001P+	BLOWER ACCESS DOOR 17.5"			1	1	1								1					1			
	4015002P+	BLOWER ACCESS DOOR 21"						1	1						1						1		
	4015003P+	BLOWER ACCESS DOOR 24.5"								1												1	
	2515008	INNER BLOWER DOOR, 14"									1	1											
	2515009	INNER BLOWER DOOR, 17.5"											1										
	2515010	INNER BLOWER DOOR, 21"												1									
5	4815800 #	COMBUSTION PANEL, 14"																1	1				
	B13926111	SEAL STRIP, 1/8 X 1/2 X 14																2	2				
	4815801 #	COMBUSTION PANEL, 17.5"																		1			
	B13926112	SEAL STRIP, 1/8 X 1/2 X 17.5																		2			
	4815802 #	COMBUSTION PANEL, 21"																			1		
	B13926113	SEAL STRIP, 1/8 X 1/2 X 21																			2		
	4815803 #	COMBUSTION PANEL, 24.5"																				1	
B13926114	SEAL STRIP, 1/8 X 1/2 X 24.5																				2		
6	4021300S	HEAT EXCHANGER SUB ASM., 2 CL, 14"	1								1			1									
	4021301S	HEAT EXCHANGER SUB ASM., 3 CL, 14"		1								1											
	4021302S	HEAT EXCHANGER SUB ASM., 3 CL, 17.5"			1									1									
	4021303S	HEAT EXCHANGER SUB ASM., 4 CL, 17.5"				1	1						1										
	4021304S	HEAT EXCHANGER SUB ASM., 4 CL, 21"						1															
	4021305S	HEAT EXCHANGER SUB ASM., 5 CL, 21"							1					1			1						
	4021306S	HEAT EXCHANGER SUB ASM., 6 CL, 24.5"								1													
	4821400S	PRIMARY HEAT EXCHANGER ASM., 2 CL, 14"																	1				
	4821401S	PRIMARY HEAT EXCHANGER ASM., 3 CL, 14"																		1			

\* WHEN ORDERING ITEM #3, ALSO ORDER (1) B1392139 AND (2) B13926119.

+ WHEN ORDERING ITEM #4, ALSO ORDER (1) B1392139.

# WHEN ORDERING ITEM #5, ALSO ORDER (1) B1392153 AND (1) B1392155.



I T E M	PART	DESCRIPTION	GMT					GDT				GMTH			GMNT							
			0 4 5 - 3	0 7 0 - 3	0 7 0 - 4	0 9 0 - 3	0 9 0 - 4	0 9 0 - 5	1 1 5 - 5	1 3 5 - 5	0 4 5 - 3	0 7 0 - 3	0 9 0 - 4	1 1 5 - 5	0 4 5 - 3	0 7 0 - 4	1 1 5 - 5	0 4 0 - 3	0 6 0 - 3	0 8 0 - 4	1 0 0 - 4	1 2 0 - 5
10	4010000S	FLUE COLLECTOR BOX KIT, 14"	1							1				1								
	4010001S	FLUE COLLECTOR BOX KIT, 14"		1							1											
	4010002S	FLUE COLLECTOR BOX KIT, 17.5"			1									1								
	4010003S	FLUE COLLECTOR BOX KIT, 17.5"				1	1					1										
	4010004S	FLUE COLLECTOR BOX KIT, 21"						1	1				1			1						
	4010005S	FLUE COLLECTOR BOX KIT, 24.5"									1											
	4810000S	FLUE COLLECTOR BOX KIT, 14"																1	1			
	4810001S	FLUE COLLECTOR BOX KIT, 17.5"																		1		
	4810002S	FLUE COLLECTOR BOX KIT, 21"																			1	
	4810003S	FLUE COLLECTOR BOX KIT, 24.5"																				1
	11	B4059000	VENT MOTOR	1	1	1	1	1	1	1	1	1	1	1	1	1	1					
B4833000		VENT MOTOR																1	1	1	1	1
12	4013000	BURNER BOX TOP, 2 CL	1								1				1			2				
	4013001	BURNER BOX TOP, 3 CL		1	1							1			1			2				
	4013002	BURNER BOX TOP, 4 CL				1	1	1					1						2			
	4013003	BURNER BOX TOP, 5 CL							1					1			1				2	
	4013004	BURNER BOX TOP, 6 CL								1												2
13	B1401015S	HOT SURFACE IGNITOR	1	1	1	1	1	1	1	1	1	1	1	1	1	1	1	1	1	1	1	1
14	B1172606	FLAME SENSOR	1	1	1	1	1	1	1	1	1	1	1	1	1	1	1	1	1	1	1	1
15	B1370145	ROLLOUT SWITCH, 300 W/O BRACKET	2	2	2	2	2	2	2	2	2	2	1	1	1	1	2	2	2	4	4	4
16	2514000	BURNER BOX SIDE	2	2	2	2	2	2	2	2	2	2	2	2	2	2	2	2	2	2	2	2
17	2513500	BURNER RACK, 2 CL	1								1				1			1				
	2513501	BURNER RACK, 3 CL		1	1							1				1			1			
	2513502	BURNER RACK, 4 CL				1	1	1					1							1		
	2513503	BURNER RACK, 5 CL							1					1			1				1	
	2513504	BURNER RACK, 6 CL									1											1
18	B4022700	INSHOT BURNER, 3"	2	3	3	4	4	4	5	6	2	3	4	5	2	3	5	2	3	4	5	6
19	B4026000	MANIFOLD, GAS 2 CL	1								1				1			1				
	B4026001	MANIFOLD, GAS 3 CL		1	1							1				1			1			

I T E M	PART	DESCRIPTION	GMT					GDT				GMTH			GMNT						
			0 4 5 - 3	0 7 0 - 3	0 7 0 - 4	0 9 0 - 3	0 9 0 - 4	0 9 0 - 5	1 1 5 - 5	1 3 5 - 5	0 4 5 - 3	0 7 0 - 3	0 9 0 - 4	1 1 5 - 5	0 4 5 - 3	0 7 0 - 4	1 1 5 - 5	0 4 0 - 3	0 6 0 - 3	0 8 0 - 4	1 0 0 - 4
19	B4026002	MANIFOLD, GAS 4 CL				1	1	1				1							1		
	B4026003	MANIFOLD, GAS 5 CL							1				1			1					1
	B4026004	MANIFOLD, GAS 6 CL							1												1
20	B4089343	GAS ORIFICE, #43	2	3	3	4	4	4	5	6	2	3	4	5	2	3	5				
	B4089345	GAS ORIFICE, #45																2	3	4	5
21	B1282614	GAS VALVE, H.S.I.	1	1	1	1	1	1	1	1	1	1	1	1	1	1	1				
	B1282615	GAS VALVE, H.S.I.																1	1	1	1
22	2539302	BLOWER SHELL ASM., 11x10								1						1	1				1
	2539305	BLOWER SHELL ASM., 10x6	1	1							1	1			1			1	1		
	2539306	BLOWER SHELL ASM., 10x8			1	1	1						1								
	2539307	BLOWER SHELL ASM., 10x10						1	1					1						1	1
23	B1340020	MOTOR, DIRECT DRIVE, ½ H.P.			1		1	1	1				1	1	1					1	1
	B1340021	MOTOR, DIRECT DRIVE, 1/3 H.P.	1	1		1					1	1						1	1		
	B1340023	MOTOR, DIRECT DRIVE, 3/4 H.P.								1						1	1				1
24	B1368000	BLOWER WHEEL, 11X10								1							1				1
	B1368016	BLOWER WHEEL, 10X8			1	1	1						1							1	
	B1368034	BLOWER WHEEL, 10X6	1	1							1	1			1				1	1	
	B1368047A	BLOWER WHEEL, 10X10						1	1					1							1
	B1368054	BLOWER WHEEL, 11X8														1					
25	B1376851	MOTOR MOUNT BAND								1					1	1					1
26	B1376857	MOTOR MOUNT ARM								3						3	3				3
27	1815817	CONTROL MOUNT PANEL	1	1	1	1	1	1	1	1					1	1	1	1	1	1	1
28	B945652	CAPACITOR, 10/370			1		1	1	1				1	1	1					1	1
	B945653	CAPACITOR, 15/370																			
	B945672	CAPACITOR, 12.5/370	1	1		1				1	1	1				1	1	1	1		1
29	1809913S	HSI BOARD W/9-PIN CONNECTOR	1	1	1	1	1	1	1	1	1	1	1	1	1	1	1	1	1	1	1
30	B1141605	TRANSFORMER	1	1	1	1	1	1	1	1	1	1	1	1	1	1	1	1	1	1	1
31	4014500	J-BOX	1	1	1	1	1	1	1	1	1	1	1	1	1	1	1	1	1	1	1
32	4015500	J-BOX COVER	1	1	1	1	1	1	1	1	1	1	1	1	1	1	1	1	1	1	1

